

INDEX

◆ TOOLS REQUIRED	2
◆ ACCESSORIES REQUIRED	2
◆ APPLICABLE MODEL SIC HOUSING, SNC HOUSING	3
◆ PREPARATION MEASURE BEFORE YOU CUT	3
◆ PREPARATION DETERMINE HOUSING MOUNTING METHOD	4
◆ PREPARATION REMOVE KNOCK-OUT	4
◆ STEP 1 HANGER BAR ADJUSTMENT	5
◆ STEP 2 SECURE HANGER BARS	5
◆ STEP 3 SECURE SYSTEM	6
◆ STEP 4 POSITION MEASUREMENT	6
◆ STEP 5-A ELECTRICAL CONNECTION	
SHALLOW PLENUM HOUSING	7
◆ STEP 5-B WIRING DIAGRAMS	8
◆ STEP 6 CEILING CUTOUT + INSTALLATION	
CEILING OR TILE INSTALLATION	9
FOR TRIMLESS	10
◆ STEP 7 OPTIC AND MEDIA INSTALLATION OR REPLACEMENT	11
◆ STEP 8 LIGHT BEAM ADJUSTMENT & REFLECTOR INSTALLATION	12

READ AND FOLLOW ALL SAFETY INSTRUCTIONS! SAVE THESE INSTRUCTIONS AND DELIVER TO OWNER AFTER INSTALLATION.

⚠ WARNING: RISK OF ELECTRIC SHOCK

- Before installation or servicing **DISCONNECT POWER BY TURNING OFF THE CIRCUIT breakers both to the outlet box and to its associated wall switch.**
- Installation and service of luminaires should be performed by a qualified licensed electrician in accordance with all local and National Electrical Codes.
- Do not install damaged product
- Verify that supply voltage is correct by comparing it with the luminaire label information.
- All wiring connections should be capped with UL approved recognized wire connectors.

⚠ WARNING: RISK OF INJURY

- Allow luminaire to cool before servicing.
- Follow all manufacturer's warning and restrictions for driver type, mounting locations, replacement and recycling.
- Wear safety glasses and gloves when installing, maintaining or servicing.
- Avoid direct eye exposure to the light source while it is on.

⚠ WARNING: RISK OF FIRE

- Do not separate any other wires that may be in the box.
- Do not damage the insulation of older wiring.
- In regular circumstances the **BLACK** wire will be the "Hot" lead and the **WHITE** wire will be the "Neutral" or "Common" lead. A **GREEN** or **BARE COPPER** wire is "Ground". In older buildings, it is always good practice to reconfirm the polarity of the wiring.

⚠ RISK OF PRODUCT DAMAGE

- Never connect components under load.
- Do not touch the yellow surface of the LED as it may damage the light engine.

◆ TOOLS REQUIRED



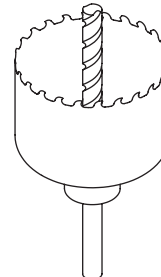
**Screw Driver
Flat Head**



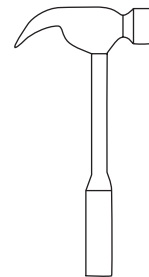
**Screw Driver
#1 Philips**



**Screw Driver
#2 Philips**



**Hole Saw
(Or Speed Router)**



Claw Hammer

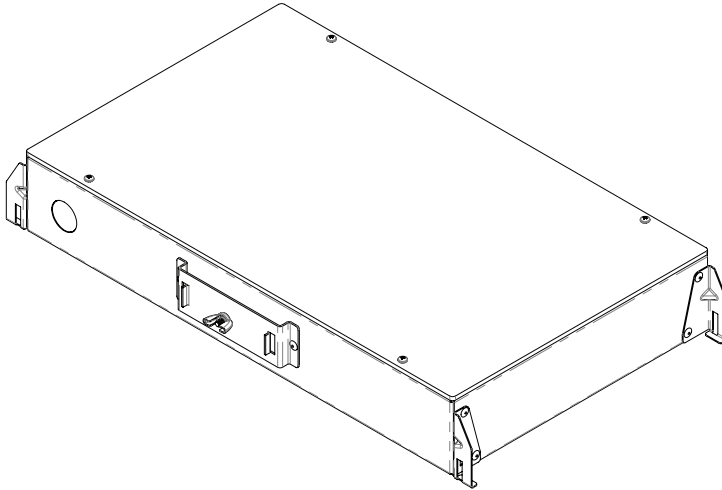
◆ ACCESSORIES REQUIRED



Electrical Wire Nut

◆ **APPLICABLE MODEL | SIC Housing, SNC Housing**

- SIC (Shallow Plenum New Construction IC Housing)
- SNC (Shallow Plenum New Construction Housing)



SIC Model

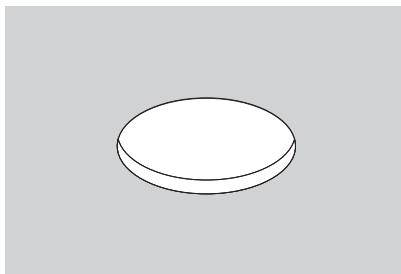
Shallow Plenum New Construction IC Housing

SNC Model

Shallow Plenum New Construction Housing

◆ **PREPARATION | Measure Before You Cut**

- Consult the ceiling cutout table below to determine your application ceiling cutout requirements.



**Flanged Trim Ceiling Cutout Table
Shallow Plenum Housing (SIC, SNC)**

Model	1 Inch A1-SIC, A1-SNC	2 Inch A2-SIC, A2-SNC	3 Inch A3-SIC, A3-SNC	4 Inch A4-SIC, A4-SNC
Cutout Size Round	Ø 2 ⁵ / ₈ " (Ø 67 mm)	Ø 3 ³ / ₈ " (Ø 85 mm)	Ø 4 ³ / ₈ " (Ø 112 mm)	Ø 5 ³ / ₈ " (Ø 138 mm)
Cutout Size Square	2 ⁵ / ₈ " x 2 ⁵ / ₈ " (67 x 67 mm)	3 ³ / ₈ " x 3 ³ / ₈ " (85 x 85 mm)	4 ³ / ₈ " x 4 ³ / ₈ " (112 x 112 mm)	5 ³ / ₈ " x 5 ³ / ₈ " (138 x 138 mm)

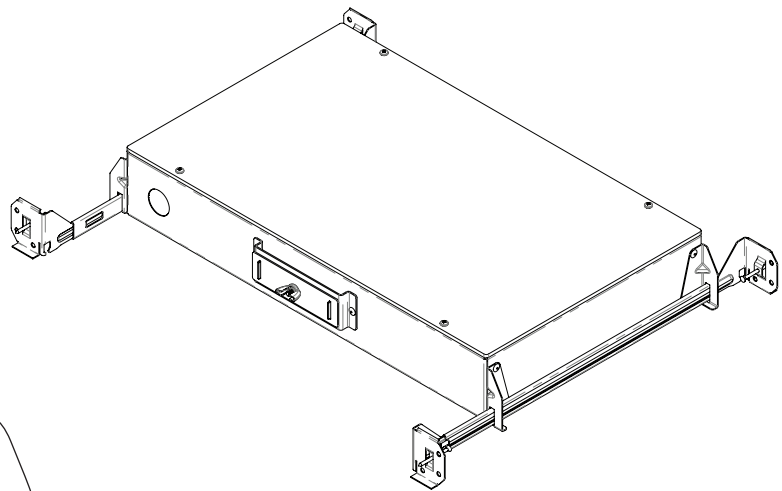
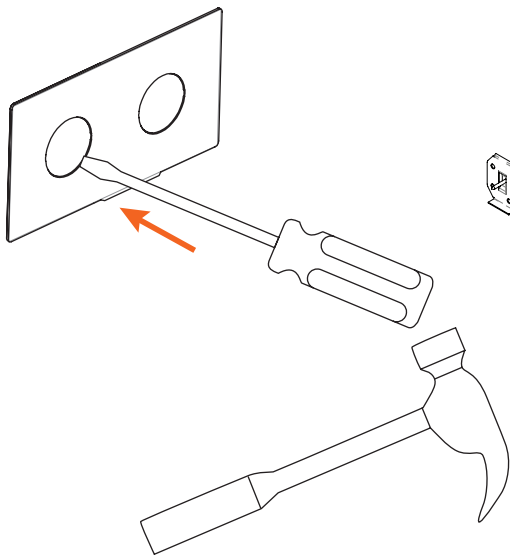
PREPARATION

◆ **PREPARATION | Determine Housing Mounting Method**

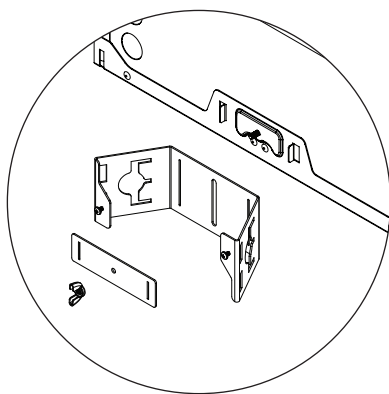
- ◆ **Standard hanger bars** provided secure the housing to ceiling joists or suspended ceiling frames (T-bars). Install the hanger bars in the frame slots, oriented as shown.
- ◆ **Butterfly brackets** secure the housing using C-channel or conduit. To install the brackets, removed the wingnut and lock plate, mount the brackets on the housing, then re-attach the lock plate and wing nut. Adjust the vertical position of the housing by sliding the bracket up or down. Tighten the wingnut to lock the vertical position.

◆ **PREPARATION | Remove Knock-Out**

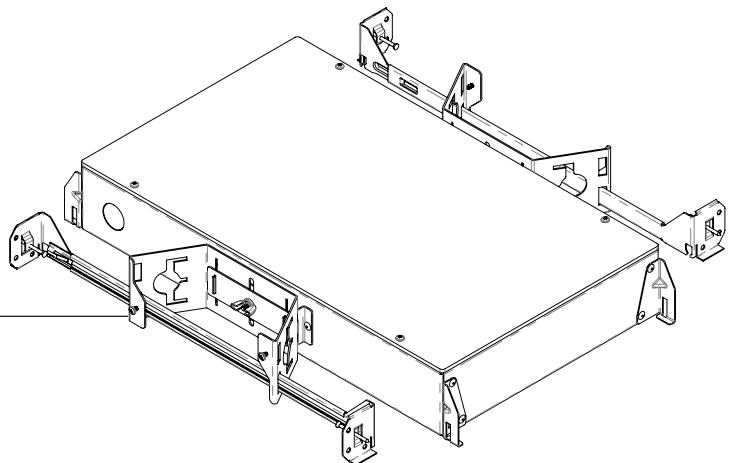
- Remove knock-out(s) where needed with a flat-head screwdriver and hammer.



Hanger bars in the housing pan slots



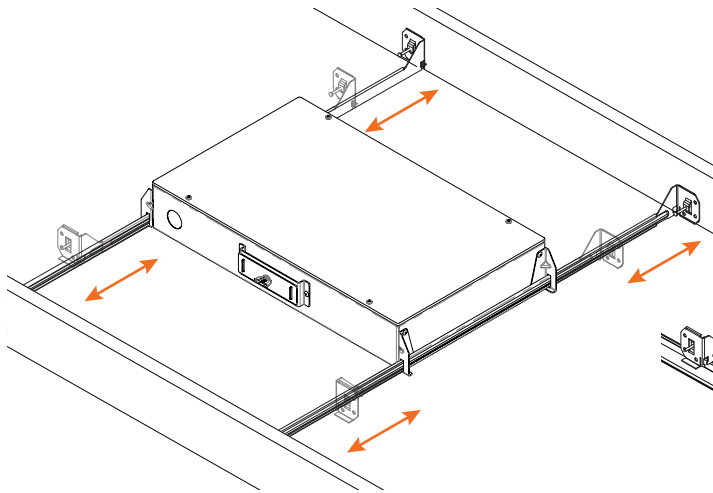
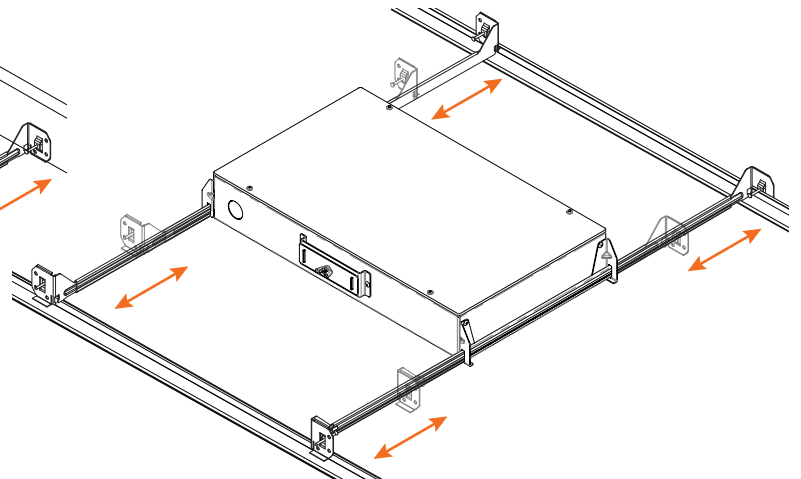
Butterfly Bracket



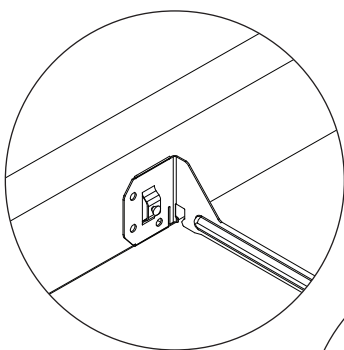
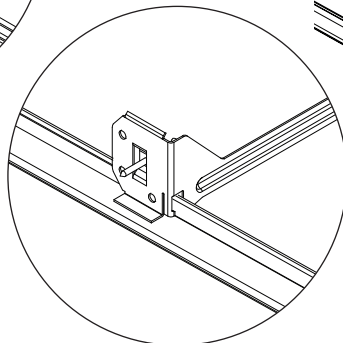
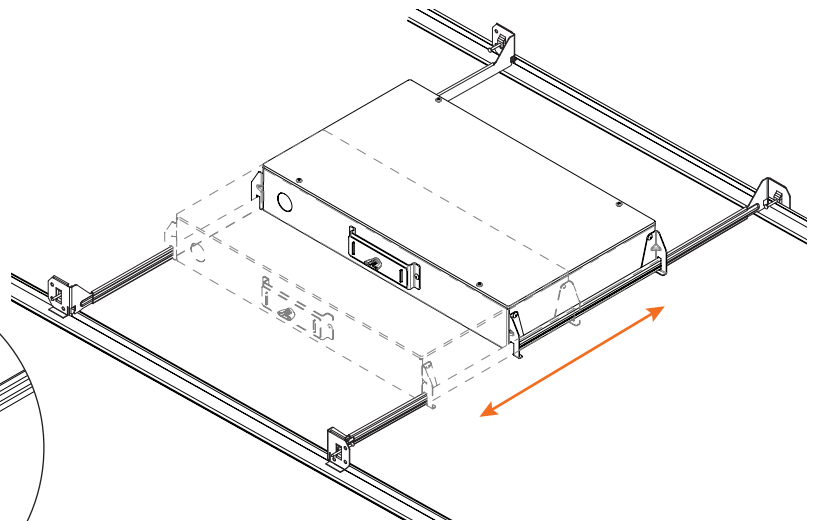
Butterfly bracket with hanger bars installed

INSTALLATION**◆ STEP 1 | Hanger Bar Adjustment**

- Adjust the hanger bars to fit between joists (For suspended ceiling, remove the required tile).

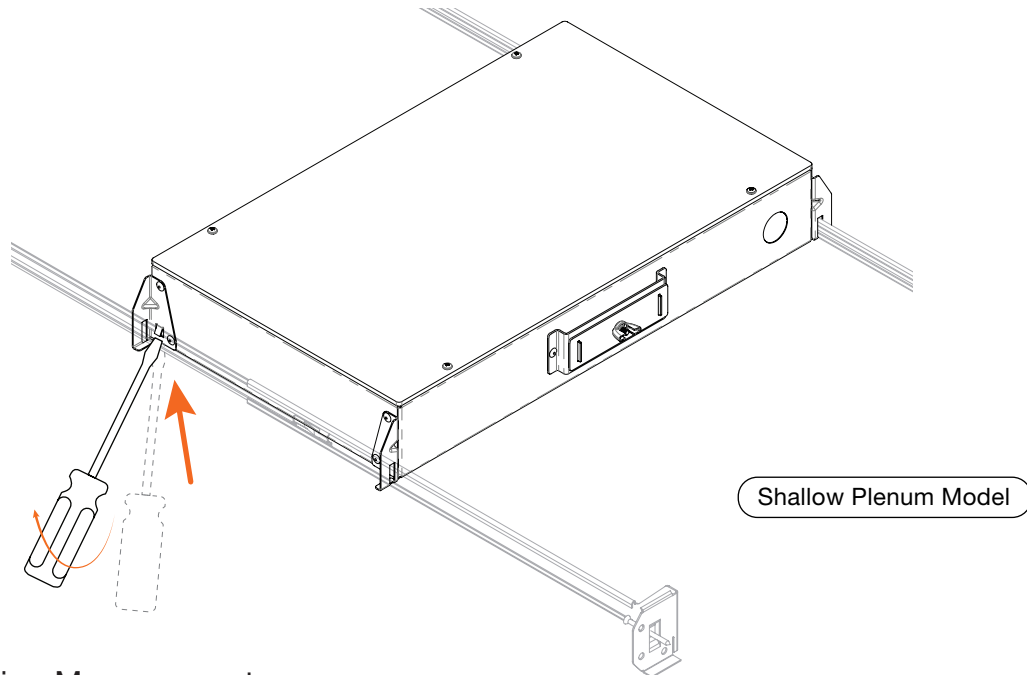
**Joist Application****T-Bar Application****◆ STEP 2 | Secure Hanger Bars**

- For wood joists, Line up the bottom of the hanger bars to the bottom of the joists and nail the ends of the hanger bars to the joists.
- For suspended ceiling (T-Bar), Snap the hanger bars in place on the suspended ceiling T-Bar.

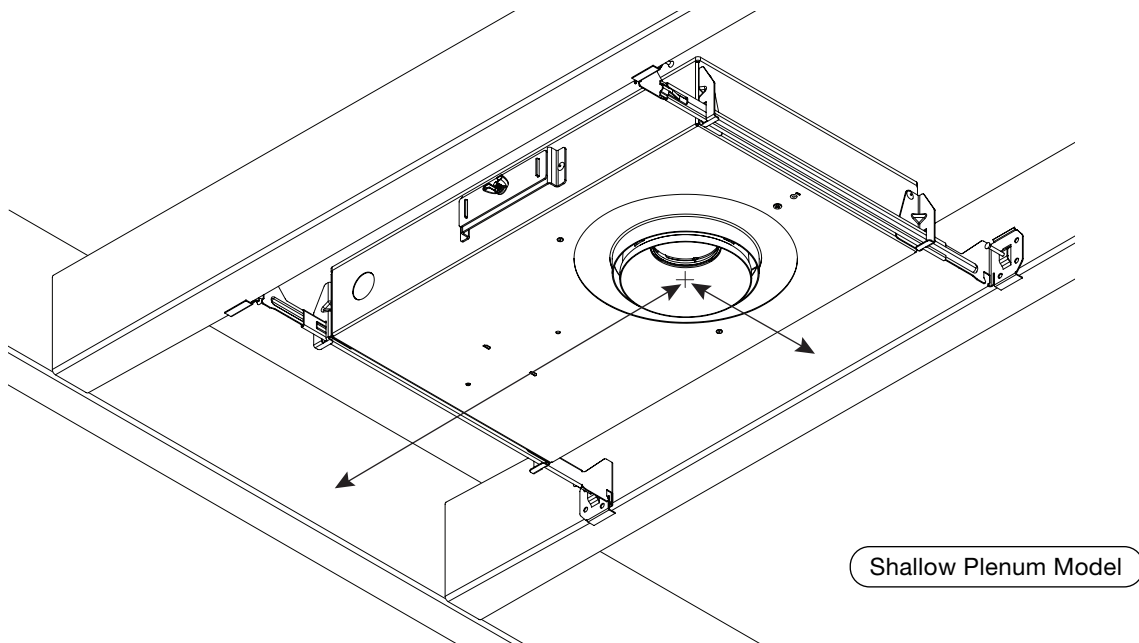
**Wood****T-Bar****Shallow Plenum Model**

INSTALLATION**◆ STEP 3 | Secure System**

- Slide the housing to the desired position and use a flat head screwdriver to tilt the locking tabs into the hanger bars until system is secure.

**◆ STEP 4 | Position Measurement**

- Measure and mark the location of the pan hole from wood joists/T-Bars.



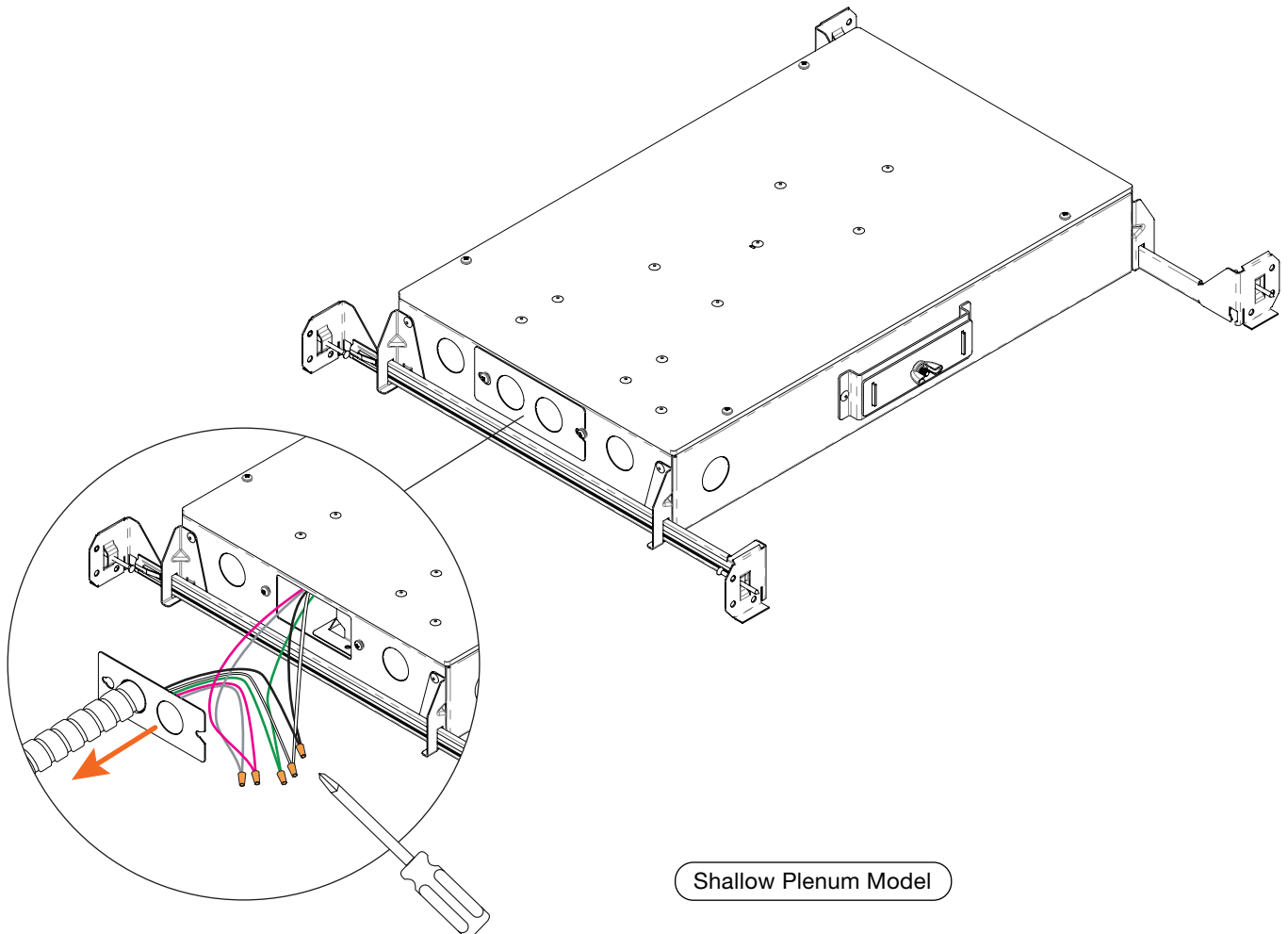
INSTALLATION

◆ STEP 5-A | Electrical Connection

- If not already completed, use a flathead screwdriver and hammer to punch out knock-out(s).
- Remove Access panel.
- Using a UL listed conduit connector secure connector to the knock-out opening, passing supply wires through connector.
- Connect supply wires using approved wire nuts to the Driver using the wiring diagrams shown.
- Reattach access panel.

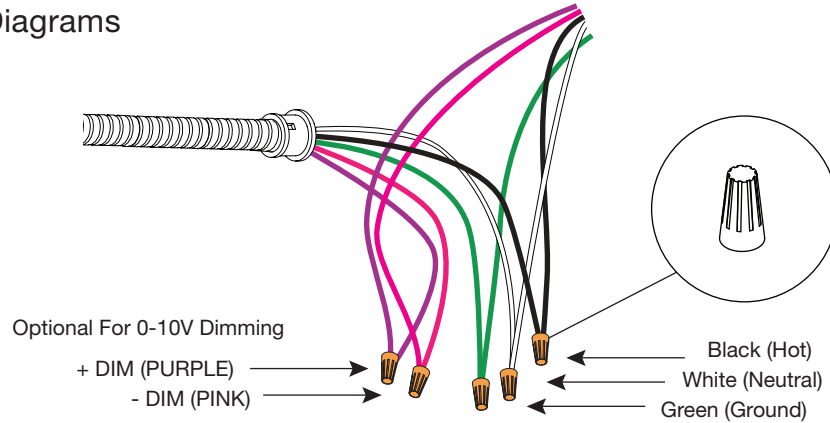
SHALLOW PLENUM HOUSING

- Using a #1 Phillips screwdriver, remove access panel.



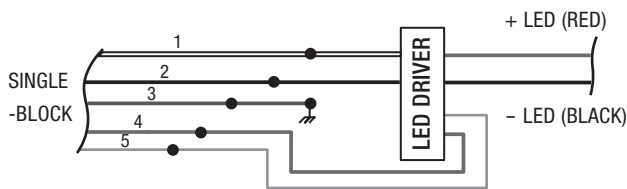
INSTALLATION

◆ STEP 5-B | Wiring Diagrams



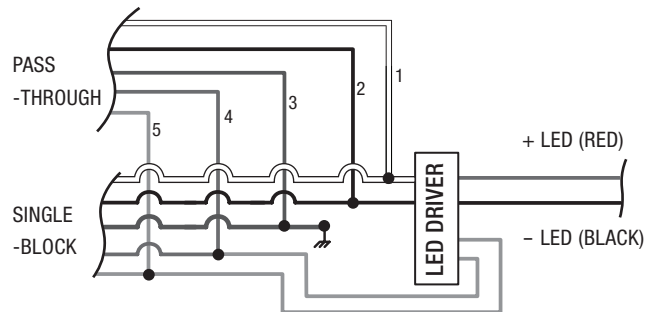
TRI-DIMMING

For Single-Block Connection



- 1/ NEUTRAL (WHITE)
- 2/ LINE (HOT) - (BLACK)
- 3/ GROUND (GREEN)
- 4/ + DIM (PURPLE)
- 5/ - DIM (PINK)

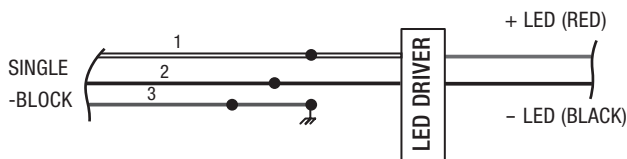
For Pass-Through Connection



- 1/ NEUTRAL (WHITE)
- 2/ LINE (HOT) - (BLACK)
- 3/ GROUND (GREEN)
- 4/ + DIM (PURPLE)
- 5/ - DIM (PINK)

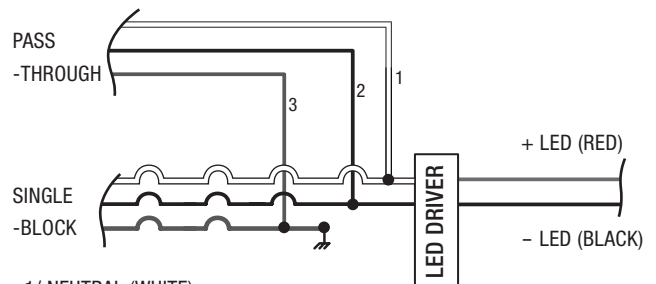
PHASE DIMMING ONLY

For Single-Block Connection



- 1/ NEUTRAL (WHITE)
- 2/ LINE (HOT) - (BLACK)
- 3/ GROUND (GREEN)

For Pass-Through Connection



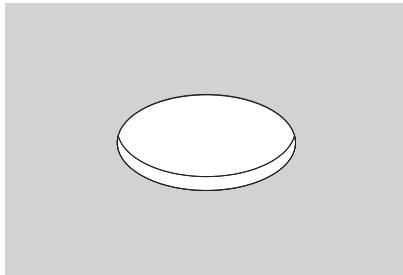
- 1/ NEUTRAL (WHITE)
- 2/ LINE (HOT) - (BLACK)
- 3/ GROUND (GREEN)

INSTALLATION

◆ STEP 6 | Ceiling Cutout + Installation

CEILING OR TILE INSTALLATION

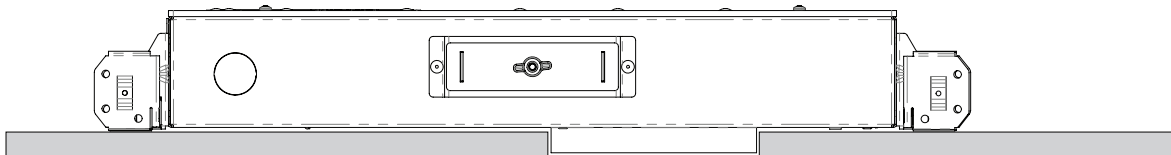
Consult the appropriate "Ceiling Cutout Table" below before cutting the ceiling or ceiling tile.



**Flanged Trim Ceiling Cutout Table
Shallow Plenum Housing (SIC, SNC)**

Model	1 Inch A1-SIC, A1-SNC	2 Inch A2-SIC, A2-SNC	3 Inch A3-SIC, A3-SNC	4 Inch A4-SIC, A4-SNC
Cutout Size Round	Ø 2 ⁵ / ₈ " (Ø 67 mm)	Ø 3 ³ / ₈ " (Ø 85 mm)	Ø 4 ³ / ₈ " (Ø 112 mm)	Ø 5 ³ / ₈ " (Ø 138 mm)
Cutout Size Square	2 ⁵ / ₈ " x 2 ⁵ / ₈ " (67 x 67 mm)	3 ³ / ₈ " x 3 ³ / ₈ " (85 x 85 mm)	4 ³ / ₈ " x 4 ³ / ₈ " (112 x 112 mm)	5 ³ / ₈ " x 5 ³ / ₈ " (138 x 138 mm)

- For square trims, ensure the housing opening is properly aligned, then tighten the lock screw to secure the position.
- Cut ceiling hole at the pre-measured location using a hole saw or speed router to the size indicated within the "Ceiling Cutout Table".
- Attach ceiling or tile ensuring the ceiling hole aligns with the luminaire opening.



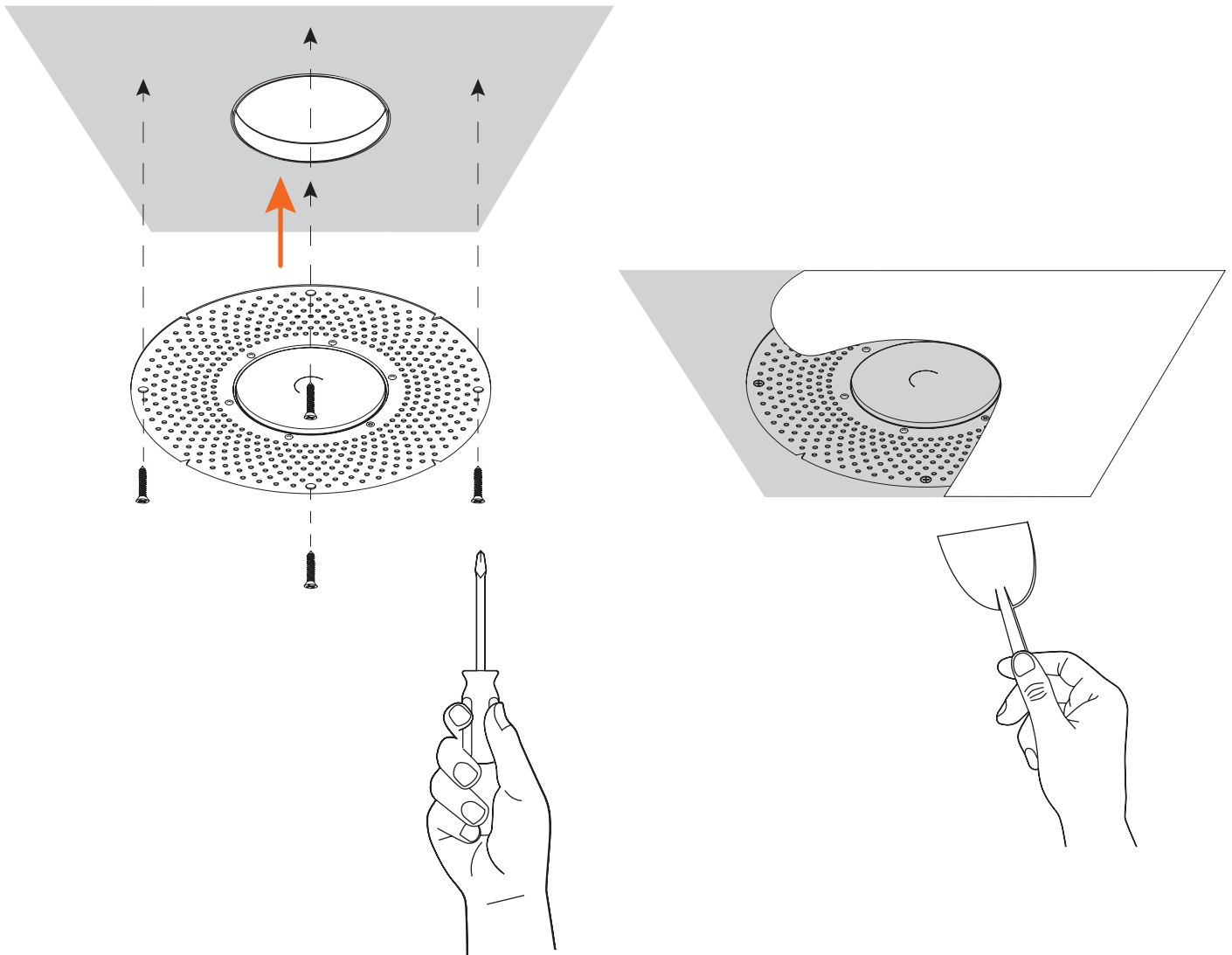
Shallow Plenum Model

INSTALLATION

◆ STEP 6 | Ceiling Cutout + Installation

FOR TRIMLESS

- Make sure mud protector board is installed before mudding.
- With drywall knife apply mud to mud-ring up to the rim of the mud-ring. Ensure no mud goes beyond the rim. With a block sander smooth out bumps or unevenness. Repeat until ceiling is smooth.
- Paint ceiling and after paint is fully dry remove the mud protector board.
- Remove mud guard from mud ring.



INSTALLATION

◆ STEP 7 | Optic and Media Installation or Replacement

Acrobat Downlights ship with your choice of optic installed. If ordered, alternate optics and media will be included with the shipment and will need to be installed.

Removing Installed Optic

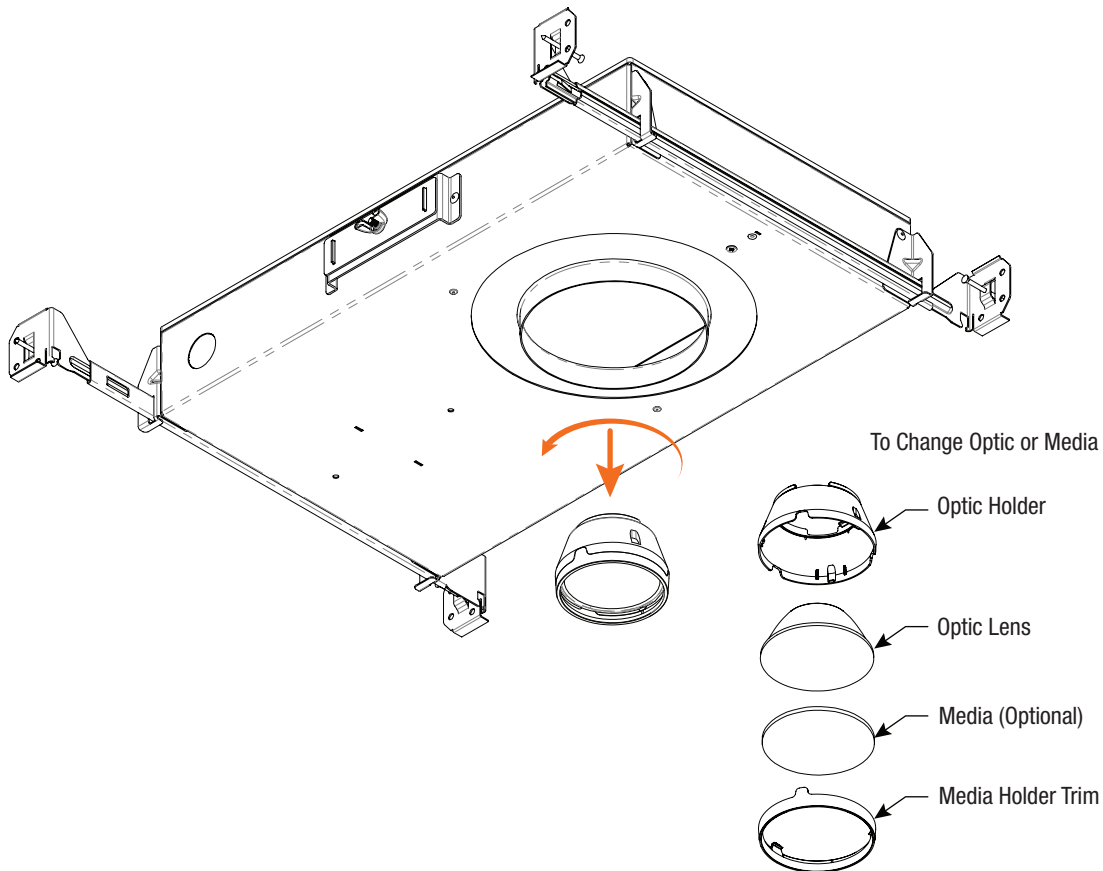
- Remove Optic Holder, and using Optic Installation Tool, snap tool over Optic.
- Rotate counterclockwise and pull-out Optic from Luminaire.

Installing Optic

- Reattach Optic Holder if necessary.
- Aligning the tabs on the Optic to the slots on the module, push and rotate the Optic clockwise securing the Optic to the module.

Adding Media

- Remove the Optic using the steps listed above.
- Place the desired Media within the Media Holder Trim, then snap the Media Holder Trim to the Optic Holder.
- Holding the Media Holder re-attach Optic to luminaire.

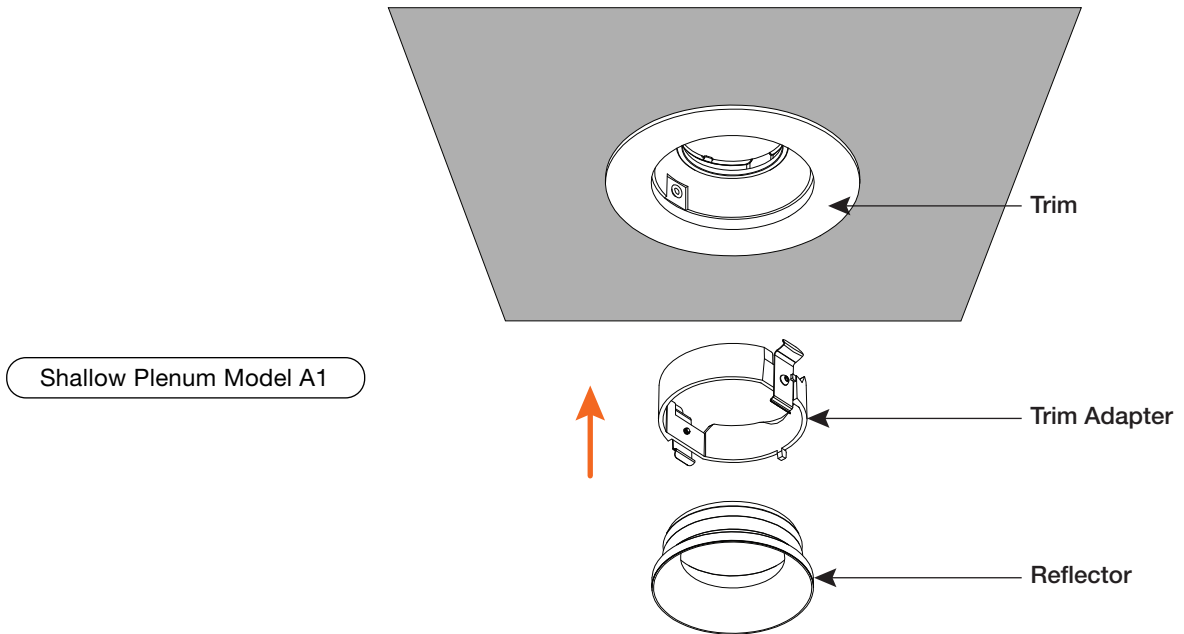


INSTALLATION

◆ STEP 8 | Reflector Installation

◆ A1 system

- Insert the Trim Adapter into the flange until the springs lock in.
- Push the trim up into the flange.



◆ A2, A3, A4 systems

- Push the trim up into the flange.

